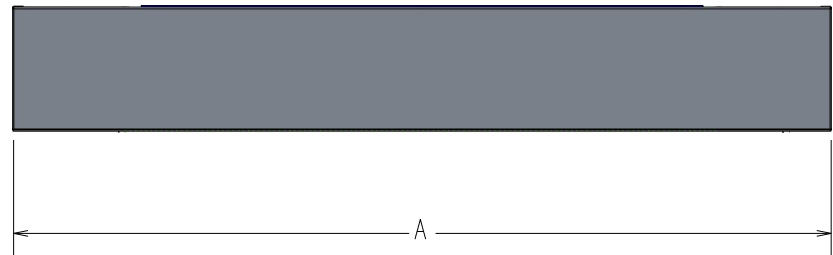
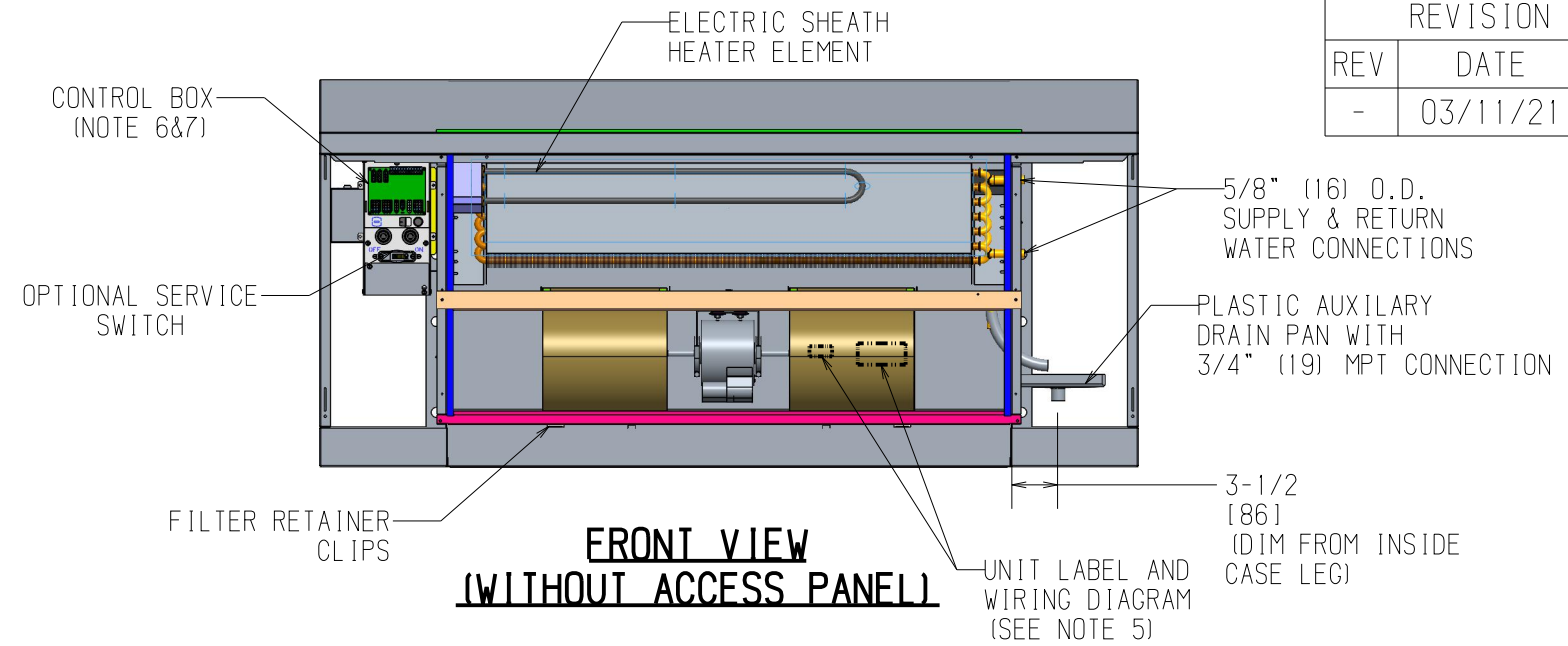


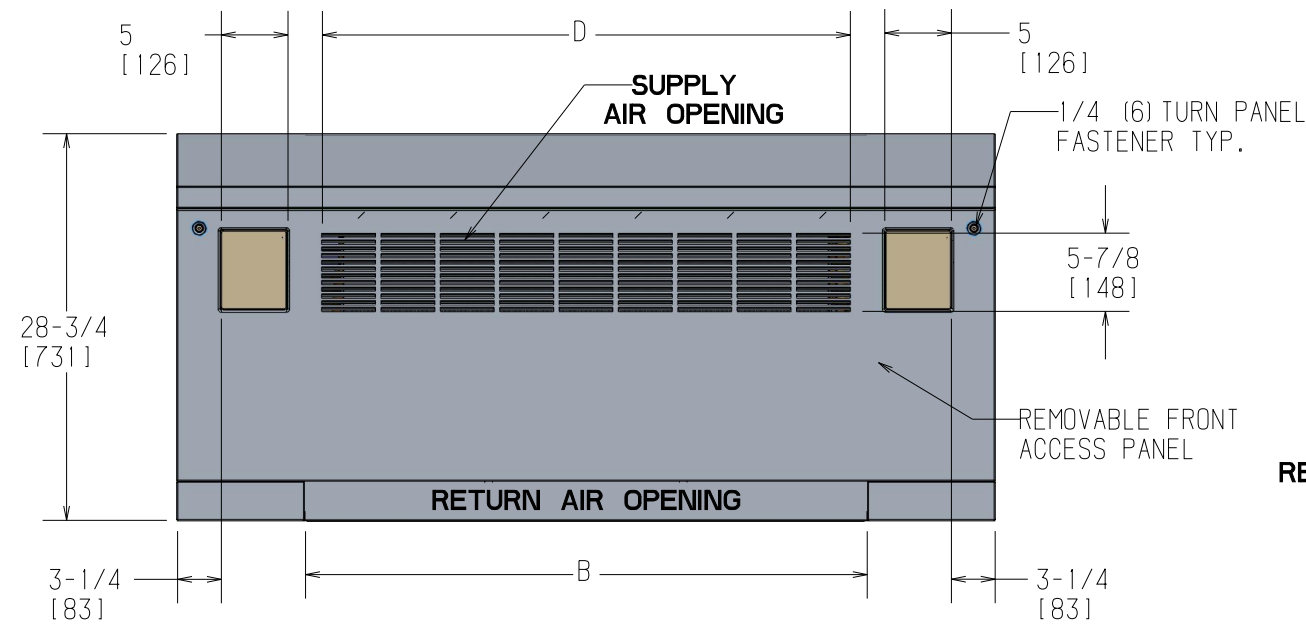
REVISION HISTORY		
REV	DATE	ECN
-	03/11/21	21-0295



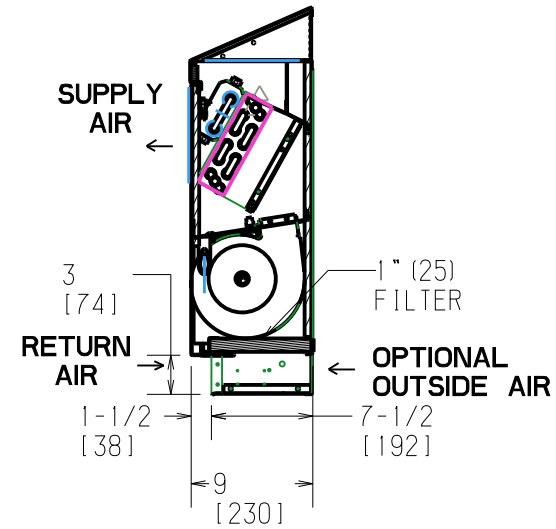
TOP VIEW



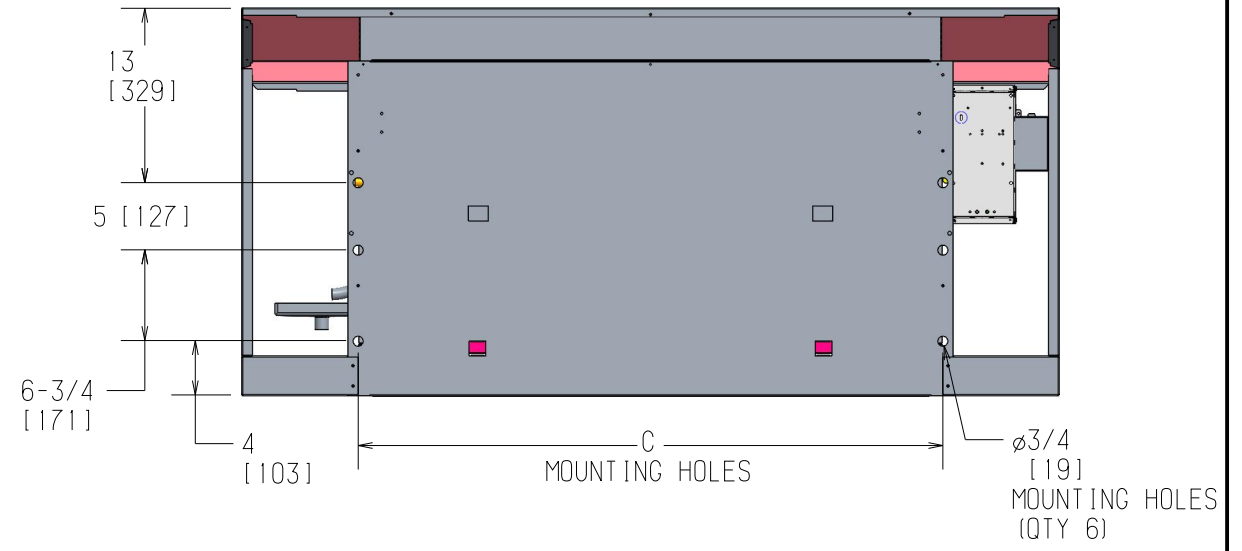
**FRONT VIEW
(WITHOUT ACCESS PANEL)**



FRONT VIEW



RIGHT SIDE VIEW



REAR MOUNTING VIEW

- NOTES:
1. RH COIL SHOWN. LH OPPOSITE.
 2. ALL DIMENSIONS ARE +/- .25 (6). DRAWING NOT TO SCALE.
 3. PRODUCT SPECIFICATIONS ARE SUBJECT TO CHANGE WITHOUT NOTICE.
 4. CONTROL BOX SIZE AND POSITION MAY VARY (CONSULT FACTORY)
 5. POSITION MAY VARY.
 6. SERVICE ACCESS IS LOCATED ON THE FRONT OF THE CONTROL BOX.
 7. KNOCKOUTS ON THE BOTTOM AND SIDE OF THE CONTROL BOX FOR INCOMING POWER CONNECTIONS

Unit Model	Dimensions - Inches (Millimeters)				Quantity/Unit	
	A	B	C	D	Blower	Motor
FSY 02	41 (1041)	22 (559)	23-1/2 (597)	17-1/4 (438)	1	1
FSY 03	45 (1143)	26 (660)	27-1/2 (698)	21-1/2 (698)	1	1
FSY 04	51 (1295)	32 (813)	33-1/2 (851)	26 (660)	2	1
FSY 06	61 (1549)	42 (1067)	43-1/2 (1105)	39 (991)	2	1
FSY 08	63 (1600)	44 (1118)	45-1/2 (1156)	39 (991)	2	1
FSY 10	77 (1956)	58 (1473)	59-1/2 (1511)	52 (1321)	4	2
FSY 12	85 (2159)	66 (1676)	67-1/2 (1751)	61 (1549)	4	2

TITLE VERT SLOPED CABINET FRONT SPLY
ELECTRIC HEAT

DWG NO 1100-90044354

DRAWN J. FUSON	DATE 03/20/12	APPROVED J.GRAVES	REV -
DATE 03/20/12		DATE 03/20/12	